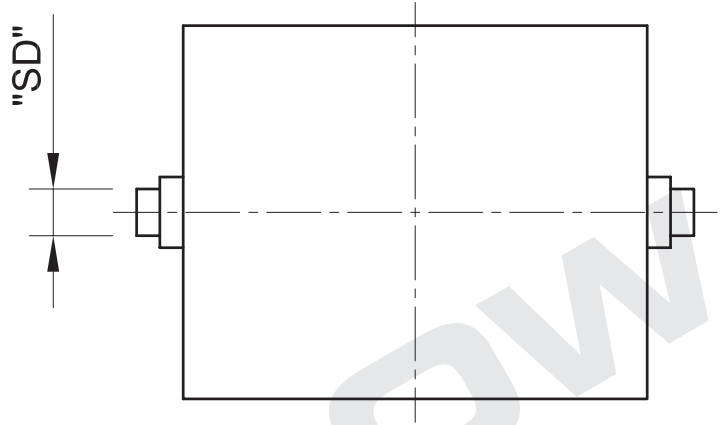
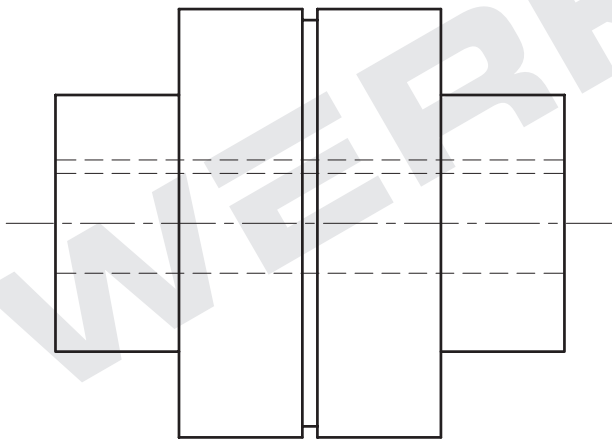


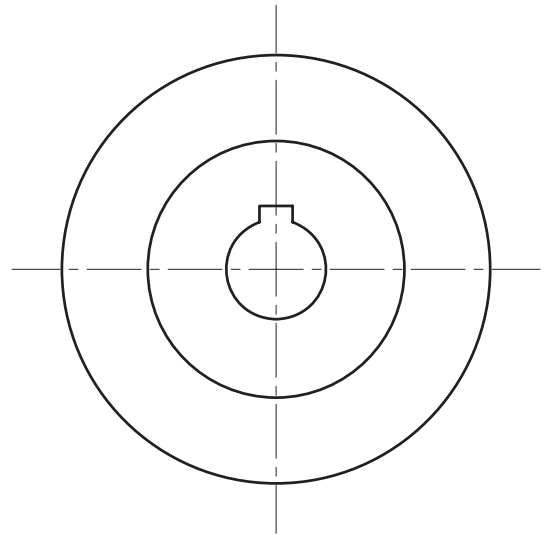
REDUCER



HEAD PULLEY



COUPLING - PLAN VIEW



COUPLING - SIDE VIEW

DIMENSIONS NEEDED FOR COUPLING REPLACEMENT

LOW SPEED OR MAIN DRIVE COUPLING?

"ROS" (REDUCER OUTPUT SHAFT DIA.) = _____ in. (COUPLING INPUT)

"SD" (HEAD PULLEY SHAFT DIAMETER) = _____ in. (COUPLING OUTPUT)

WERKFLOW

ph: 708.301.4463

www.werkflow.net

DRAWING

COUPLING REPLACEMENT

DATE

11-19-10

DWG NO.

W-05-001

REV

0