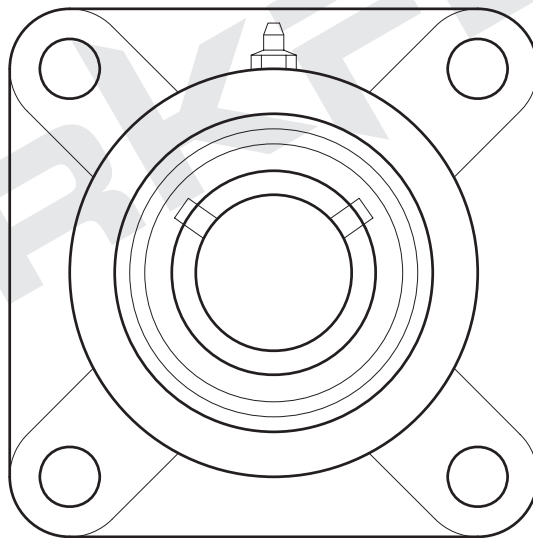


TAIL PULLEY



TAIL PULLEY BEARING (FLANGE)

DIMENSIONS NEEDED FOR TAIL PULLEY BEARING REPLACEMENT

"TSD" (TAIL PULLEY SHAFT DIAMETER) = _____ in.

WERKFLOW

ph: 708.301.4463

www.werkflow.net

DRAWING

FLANGE BEARING REPLACEMENT

DATE

11-19-10

DWG NO.

W-08-001

REV

0