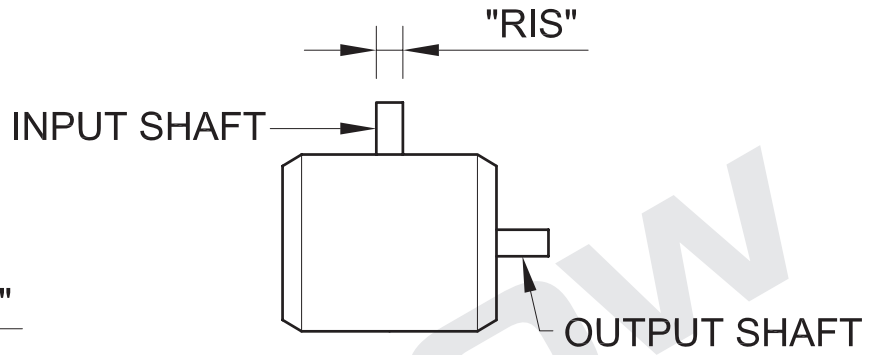
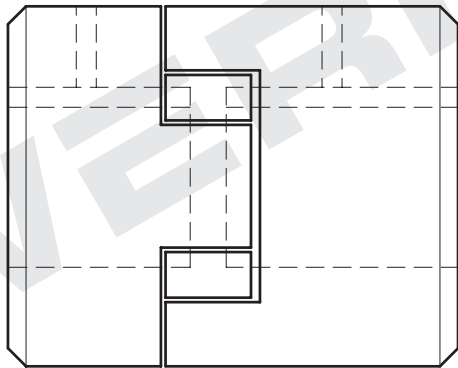


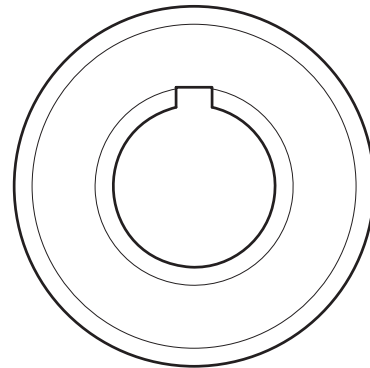
MOTOR



REDUCER



COUPLING (HIGH SPEED) - PLAN VIEW



COUPLING (HIGH SPEED) - SIDE VIEW

DIMENSIONS NEEDED FOR HIGH SPEED COUPLING REPLACEMENT

"MOS" (MOTOR OUTPUT SHAFT DIA.) = _____ in.

"RIS" (REDUCER INPUT SHAFT DIAMETER) = _____ in.

WERKFLOW

ph: 708.301.4463

www.werkflow.net

DRAWING

HIGH SPEED COUPLING REPLACEMENT

DATE

11-19-10

DWG NO.

W-06-001

REV

0